

# Universal Antenna Series

## RFCM-1835UH03Dxx

Use Below Radio Mount Chart Code

Here at *RF Communications, LLC*, we make technology simple. Whether you're a Carrier, Service Provider, Government Agency, Enterprise, or Industrial Customer; our Super High-Performance Universal Chassis allows you to adapt our antenna to almost any Licensed Microwave radio in the industry. Leveraging our field changeable one to many adapters, it has never been easier to spare or future proof before. In under five minutes, it's possible to change the vendor interface. This allows one antenna to support a wide range of available vendor interfaces. RF Communications purpose built Universal Licensed Microwave Antenna is field proven to provide ETSI class 3, and FCC Part 101A radio pattern performance, ships pre-assembled, tested, and provides the most robust and reliable performance under the most challenging conditions.

From box to pole in under five minutes, our Universal Antenna System supports either direct connect radio manufacture proprietary interfaces or it can be configured as a Waveguide Flange for remote mount installations. Our One Solution Platform for every customer allows for the following advantages:

- **Simplified Stocking**
- **Reduced Sparing Costs**
- **Equipment Reuse**
- **Future Proofing / Scalability**

### ASSEMBLED IN THE USA

RF Communications designs, stores, assembles, and tests our Universal mmWave Microwave Antenna Line in our Portage, MI facility.

### THREE YEAR WARRANTY

Each antenna comes with a three year-warranty and free technical support.



#### Universal Interface Options

##### OEM Interfaces:

Aviat Networks
BridgeWave Communications
Cambium Networks
Ceragon Networks
Ciello
DragonWave
Ericsson
Mimosa
NOKIA
RACOM
REMEC
Solectek
Ubiquiti Networks
WaveGuide

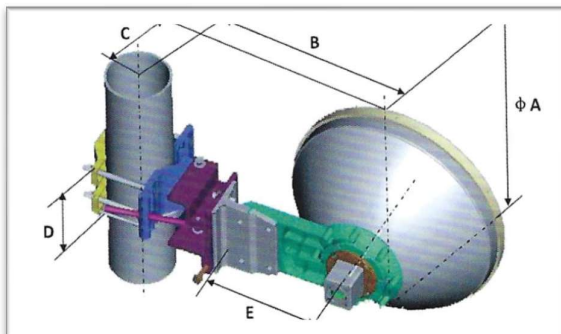
# Universal Antenna Series

**0.3m | 1ft, Ultra High Performance, Dual-Polarized Feed, 17.7-19.7GHz**

Frequency (G Hz)	17.70-19.70
Polarization	Single (V or H)
Gain, Low (dBi)	33.6
Gain, Mid (dBi)	34.2
Gain, Top (dBi)	34.5
Beam Width (deg)	3.3
Cross-pol. Discrimination_XPD (dB)	30
F/B Ratio (dB)	62
VSWR (max)	1.3
Regulatory Compliance	ETSI EN 302 217 Class 3, FCC Part 101A

## Mechanical Specifications

Diameter (m)/(ft)	0.3m /1ft
Antenna Color	Pantone Cool Gray 1C
Wave-guide Size	153 IEC-R740
Radome Options	Molded
Azimuth Adjustment	Coarse: 360° Fine: ±15°
Elevation Adjustment	Coarse: ±25° Fine: ±15°
Diameter of Mounting Pole (mm)/(in)	Φ51~Φ114mm/ 2~4.5in
Wind Velocity Survival Rating (m/s)	67
Wind Velocity Operational (m/s)	30
Ice-load (mm)/(in)	25.4mm / 1in
Operational Temperature (°C)/(°F)	-45~+60 ° C / - 49 ~ 140 ° F
Axial Force (N)	474
Side Force (N)	234
Twisting Moment (N•m)	174
Packaging	Carton
L×W×H (mm)/(in)	500x450x320m m / 19.5 x 19.5 x 12.5 i n
Gross Weight/Net Weight (kg)/(lb.)	8.5kg/6.5kg/18.5lb/14lb



### Dimensions (mm)

A	377
B	412
C	145
D	115
E	232
F	N/A

Radio/Mount	Code
Remec Rectangular	01
Remec Round	02
Dragonwave	03
Nokia	04
Mimosa	05
Ubiquiti	06
Cambium Rectangular	08
Cambium Circular	09
Ceragon Rectangular	10
Ceragon Circular	11
AVIAT	12