



Universal Antenna Series

RFCM-736UH1.2WDxx

Use Below Radio Mount Chart Code

Here at *RF Communications, LLC*, we make technology simple. Whether you're a Carrier, Service Provider, Government Agency, Enterprise, or Industrial Customer; our Super High-Performance Universal Chassis allows you to adapt our antenna to almost any Licensed Microwave radio in the industry. Leveraging our field changeable one to many adapters, it has never been easier to spare or future proof before. In under five minutes, it's possible to change the vendor interface. This allows one antenna to support a wide range of available vendor interfaces. RF Communications purpose built Universal Licensed Microwave Antenna is field proven to provide ETSI class 3, and FCC Part 101A radio pattern performance, ships pre-assembled, tested, and provides the most robust and reliable performance under the most challenging conditions.

From box to pole in under five minutes, our Universal Antenna System supports either direct connect radio manufacture proprietary interfaces or it can be configured as a Waveguide Flange for remote mount installations. Our One Solution Platform for every customer allows for the following advantages:

- **Simplified Stocking**
- **Reduced Sparing Costs**
- **Equipment Reuse**
- **Future Proofing / Scalability**

ASSEMBLED IN THE USA

RF Communications designs, stores, assembles, and tests our Universal mmWave Microwave Antenna Line in our Portage, MI facility.

THREE YEAR WARRANTY

Each antenna comes with a three-year warranty and free technical support.



Universal Interface Options

OEM Interfaces:

| |
|---------------------------|
| Aviat Networks |
| BridgeWave Communications |
| Cambium Networks |
| Ceragon Networks |
| Ciello |
| DragonWave |
| Ericsson |
| Mimosa |
| NOKIA |
| RACOM |
| REMEC |
| Solectek |
| Ubiquiti Networks |
| WaveGuide |

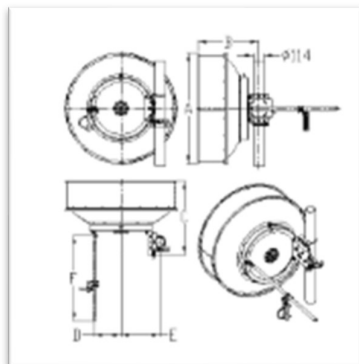
Universal Antenna Series

1.2m | 4ft, Ultra High Performance, Dual-Polarized Feed, 5.925 – 7.125GHz

| | |
|------------------------------------|--|
| Frequency (G Hz) | 5.925-7.125 |
| Polarization | Single (V or H) |
| Gain, Low (dBi) | 35 |
| Gain, Mid (dBi) | 35.6 |
| Gain, Top (dBi) | 36.2 |
| Beam Width (deg) | 2.5 |
| Cross-pol. Discrimination_XPD (dB) | 30 |
| F/B Ratio (dB) | 62 |
| VSWR (max) | 1.3 |
| Regulatory Compliance | ETSI EN 302 217 Class 3, FCC Part 101A |

Mechanical Specifications

| | |
|-------------------------------------|-----------------------------------|
| Diameter (m)/(ft) | 1.2m / 4ft |
| Antenna Color | Cool Gray |
| Wave-guide Size | 153 IEC-R70 |
| Radome Options | Molded |
| Azimuth Adjustment | Coarse: 360° Fine: ±10° |
| Elevation Adjustment | Coarse: ±25° Fine: ±10° |
| Diameter of Mounting Pole (mm)/(in) | Φ51~Φ114mm/ 2~4.5in |
| Wind Velocity Survival Rating (m/s) | 67 |
| Wind Velocity Operational (m/s) | 30 |
| Ice-load (mm)/(in) | 25.4mm / 1in |
| Operational Temperature (°C)/(°F) | -45~+60 °C / - 49 ~ 140 ° F |
| Axial Force (N) | 4008 |
| Side Force (N) | 1978 |
| Twisting Moment (N•m) | 1759 |
| Packaging | Wooden |
| L×W×H (mm)/(in) | 1380x450x1700 / 4.52'x1.48'x5.58' |
| Gross Weight/Net Weight (kg)/(lb.) | 74kg/44kg / 163.14lbs/97lbs |



Dimensions (mm)

| | |
|---|------|
| A | 1228 |
| B | 689 |
| C | 834 |
| D | 299 |
| E | 439 |
| F | 1470 |

| Radio/Mount | Code |
|---------------------|------|
| Remec Rectangular | 01 |
| Remec Round | 02 |
| Dragonwave | 03 |
| Nokia | 04 |
| Mimosa | 05 |
| Ubiquiti | 06 |
| Cambium Rectangular | 08 |
| Cambium Circular | 09 |
| Ceragon Rectangular | 10 |
| Ceragon Circular | 11 |
| AVIAT | 12 |