



Universal Antenna Series

RFCM-EA8045UH03Sxx

Use Below Radio Mount Chart Code

Here at *RF Communications, LLC*, we make technology simple. Whether you're a Carrier, Service Provider, Government Agency, Enterprise, or Industrial Customer; our Super High-Performance Universal chassis allows you to adapt our antenna to almost any mmWave Microwave radio in the industry. Leveraging our field changeable one to many adapters, it has never been easier to spare or future proof before. In under five minutes, it's possible to change the vendor interface. This allows one antenna to support multiple potential vendor interfaces. RF Communications purpose built Universal mmWave Microwave Antenna is field proven to provide ETSI class 3, FCC Part 101A radio pattern performance, ships pre-assembled, tested, and provides the most robust and reliable performance under the most challenging conditions.

From box to pole in under five minutes, our one solution for every customer platform allows for the following advantages:

- **Simplified Stocking**
- **Reduced Sparing Costs**
- **Equipment Reuse**
- **Future Proofing / Scalability**

ASSEMBLED IN THE USA

RF Communications designs, stores, assembles, and tests our Universal mmWave Microwave Antenna Line in our Portage MI facility.

THREE YEAR WARRANTY

Each antenna comes with a three year-warranty and free technical support.



Universal Interface Options OEM Interfaces:

BridgeWave: All Flex4G Series

SIKLU: All EtherHaul Series

Ceragon: FibeAir IP-20E

Cambium Networks: PTP 820E

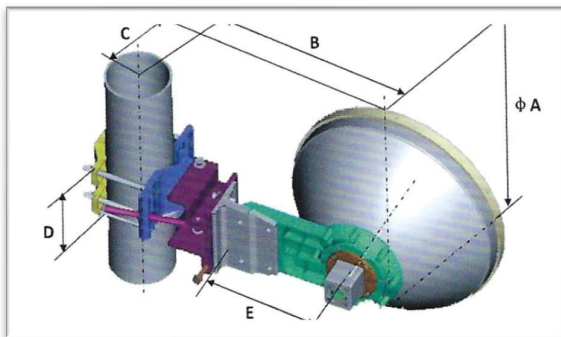
Universal Antenna Series

0.3m | 1ft, Ultra High Performance, Single-Polarized, 71.00-86.00GHz

Frequency (G Hz)	71-86
Polarization	Single (V or H)
Gain, Low (dBi)	43.8
Gain, Mid (dBi)	44.7
Gain, Top (dBi)	45.2
Beam Width (deg)	0.8
Cross-pol. Discrimination XP D (dB)	27
F/B Ratio (dB)	62
VSWR (max)	1.5
Regulatory Compliance	ETSI EN 302 217 Class 3, FCC Part 101A

Mechanical Specifications

Diameter (m)/(ft)	0.3m /1ft
Antenna Color	Pantone Cool Gray 1C
Wave-guide Size	153 IEC-R740
Radome Options	Molded
Azimuth Adjustment	Coarse: 360° Fine: ±15°
Elevation Adjustment	Coarse: ±25° Fine: ±15°
Diameter of Mounting Pole (mm)/(in)	Φ51~Φ114mm/ 2~4.5in
Wind Velocity Survival Rating (m/s)	70
Wind Velocity Operational (m/s)	56
Ice-load (mm)/(in)	25.4mm / 1in
Operational Temperature (°C)/(°F)	-45~+60 ° C / - 49 ~ 140 ° F
Axial Force (N)	474
Side Force (N)	234
Twisting Moment (N•m)	174
Packaging	Carton
L×W×H (mm)/(in)	500x450x320mm / 19.5 x 19.5 x 12.5 in
Gross Weight/Net Weight (kg)/(lb.)	8.5kg/6.5kg/18.5lb/14lb



Dimensions (mm)

A	389.5
B	366.5
C	101.5
D	200
E	N/A
F	N/A

Radio / Mount Code

BridgeWave Rectangular	01
SIKLU	02
Ceragon	03
Cambium Networks	04